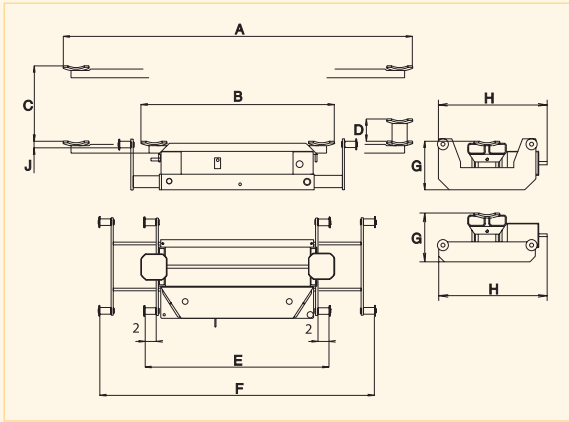


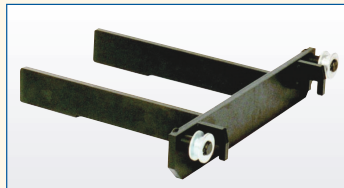
**2 TON
ROLLING LIFT
BRIDGE**

60925
Rolling Lift
Bridge

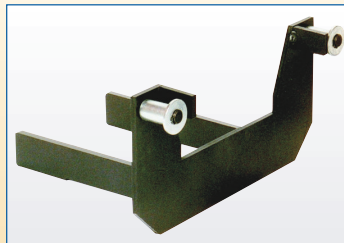


Lease for:
\$95.64 /per month
Sale price: **\$1,399.00**

60926
Hook-End Roller
(option)



60927
Flat-End Roller
(option)



MEASUREMENTS	HOOK-END ROLLER	FLAT-END ROLLER
	60926	60927
A:	62"	62"
B:	34 1/4"	34 1/4"
C:	13 3/8"	13 3/8"
D:	4"	4"
E:	31 1/4"	32 5/8"
F:	47 1/3"	48 1/8"
G:	8 5/8"	8 5/8"
H:	19 1/3"	19 1/3"
I:	6 1/3"	1 1/4"
Weight	276 lbs.	285 lbs.

Features:

- ◆ Adjustable arms and lifting saddles safely support the vehicle on the bridge
- ◆ Adjustable mounting brackets fit any width of pit and rail
- ◆ Push button air / hydraulic pump provides quick and safe lifting
- ◆ Mechanical stop prevents accidental lowering
- ◆ Two hands required for lowering. (Safety measure)
- ◆ Option of hook-end or flat-end rollers. (Purchased separately)
- ◆ Equipped with Lowering Control System



KLASSIC LIFTS

& Equipment, Inc.

(715) 453.9263